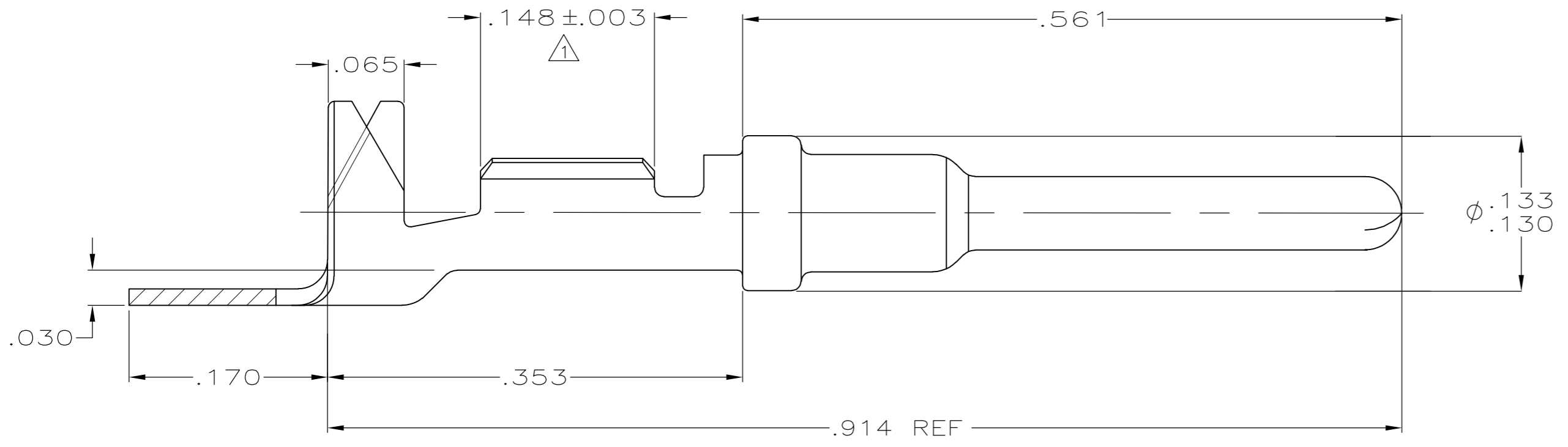
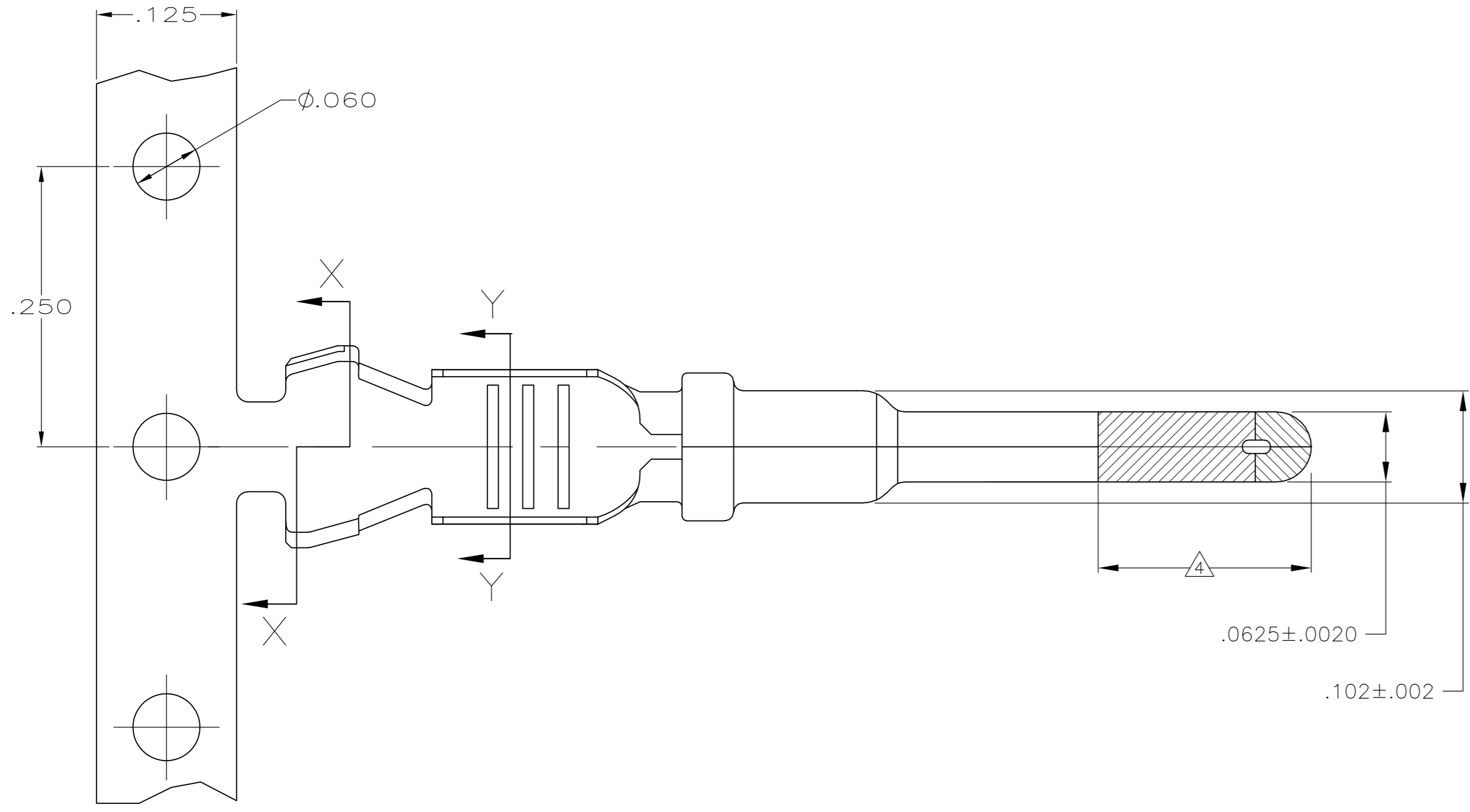
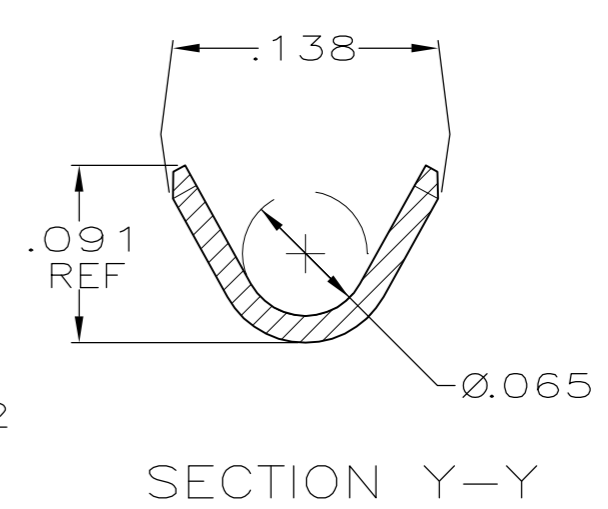
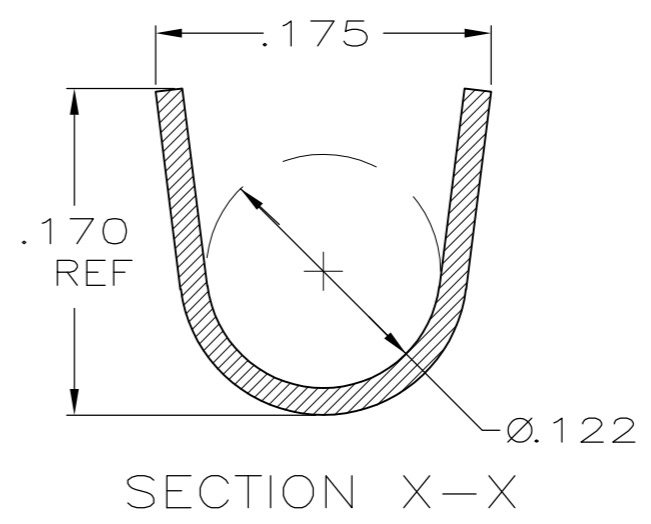


THIS DRAWING IS UNPUBLISHED. RELEASED FOR PUBLICATION
 © COPYRIGHT - By - ALL RIGHTS RESERVED.

LOC		DIST		REVISIONS			
P	LTR	DESCRIPTION		DATE	DWN	APVD	
GE	00	C2	REVISED PER ECO-11-005030		11MAR11	RK	HMR



- 1. FINISH : PLATE 0.000100-0.000200 THK TIN IN LOCALIZED TIN PLATE AREA, ALL OVER 0.000040-0.000080 THK NICKEL.
- 2. CONTACT WILL BE LUBED WITH LUBRICANT PER P/N 22014-4.
- 3. WIRE RANGE: 20-18 AWG WITH INSULATION DIAMETERS OF 0.089 - 0.131 INCHES.
- 4. PLATE 0.000030 MIN THK SELECT GOLD IN LOCALIZED PLATE AREA.



1	776349-3
1 4	776349-1
FINISH	PART NUMBER

THIS DRAWING IS A CONTROLLED DOCUMENT.		DWN	P. YEAGER	22FEB00	STE TE Connectivity		
DIMENSIONS: INCHES		CHK	W. LONG	22FEB00			
TOLERANCES UNLESS OTHERWISE SPECIFIED:		APVD	W. LONG	22FEB00	NAME		
0 PLC	± -	PRODUCT SPEC		PIN CONTACT			
1 PLC	± -	APPLICATION SPEC		-			
2 PLC	± .02	WEIGHT		-			
3 PLC	± .005	SIZE		A2	CAGE CODE	DRAWING NO	RESTRICTED TO
4 PLC	± -	CUSTOMER DRAWING		00779	C=776349	-	
ANGLES	± -	SCALE		10:1	SHEET	1 of 1	REV
MATERIAL	0.014 THK.CU.ALLOY	FINISH		-	C2		